
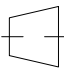
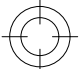
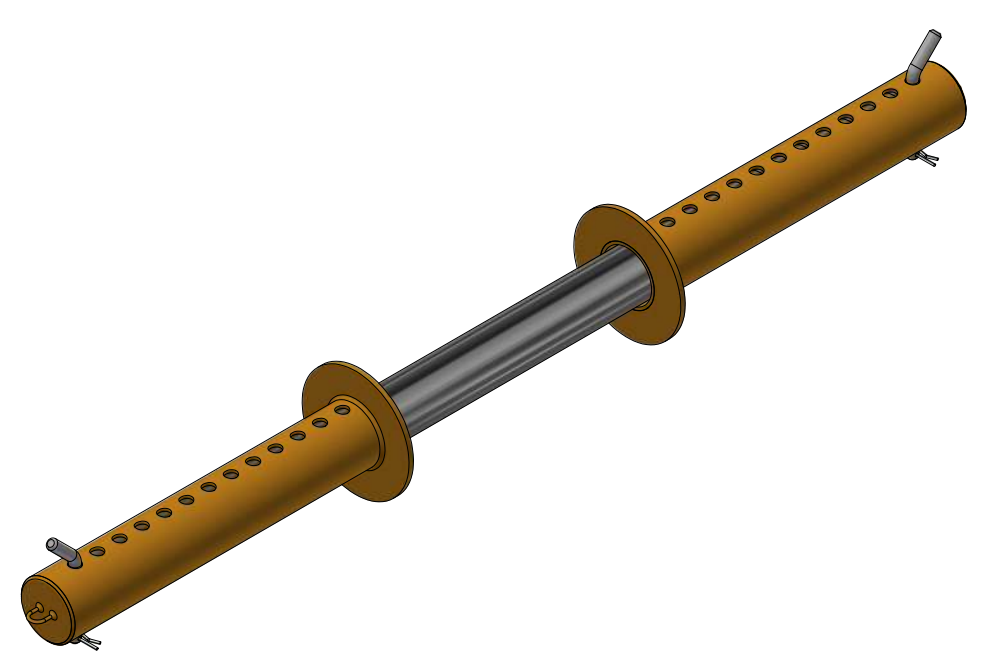
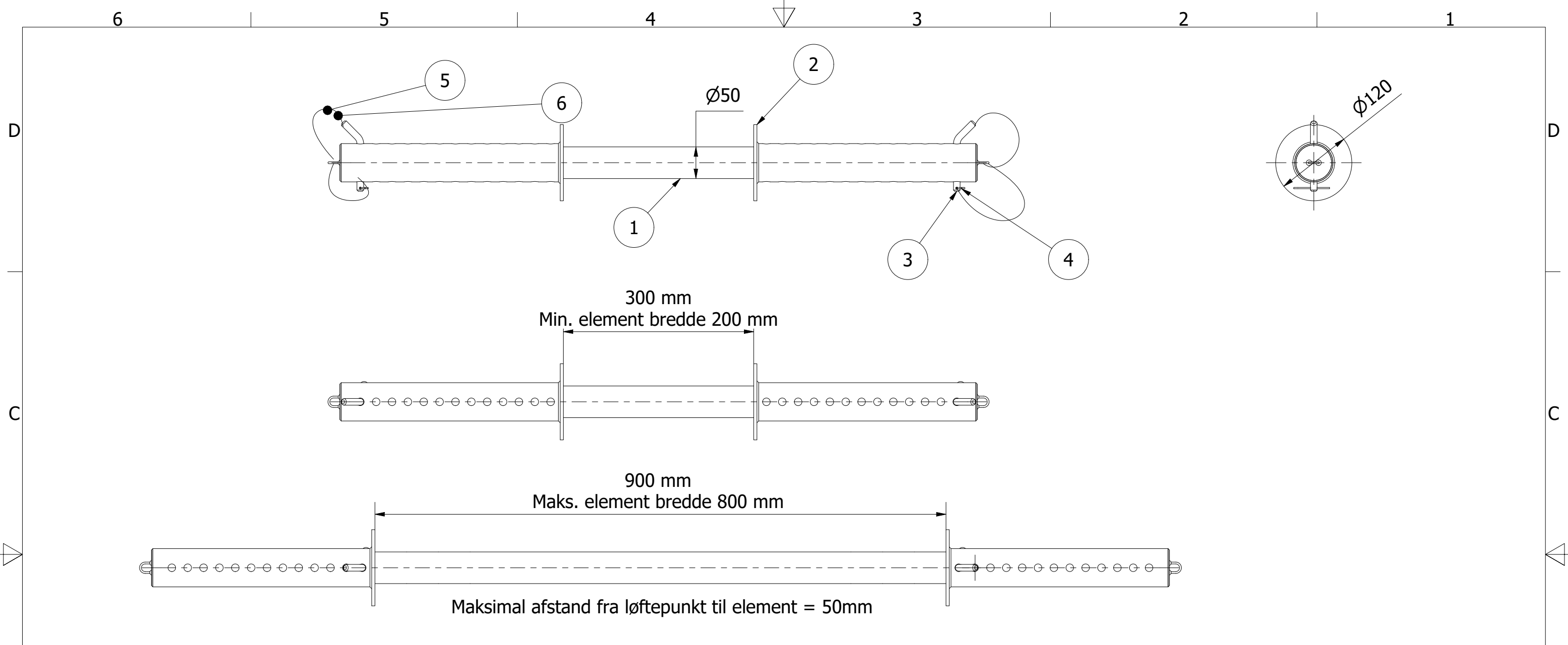



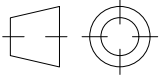
Løftedorn mærkes med WLL 4.500 kg i den ene ende.
 Løftedorn mærkes med serienummer og FKU i den anden ende.

PARTS LIST			
ITEM	QTY	PART NUMBER	TITLE
1	1	7702010798	Mandrel Ø40 x 1000
2	2	7702010803	Spacer Tube
3	2	7702010801	Locking Pin
4	2	7702002204	Cotter pin - single Ø2x50
5	4	2102501003	Wire 6x7 GALV clear PVC. Ø3mm-2mm wire
6	8	2605600030	Talurit Clamp T - nr. 3

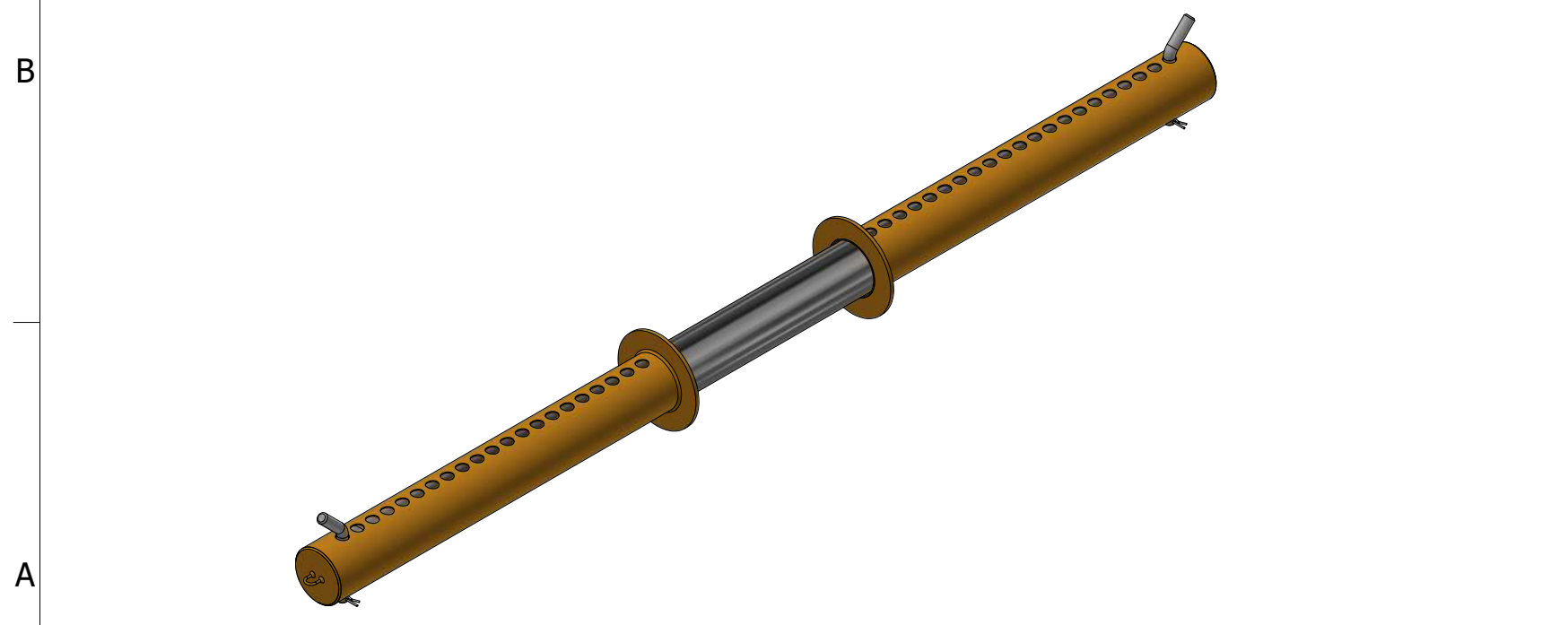
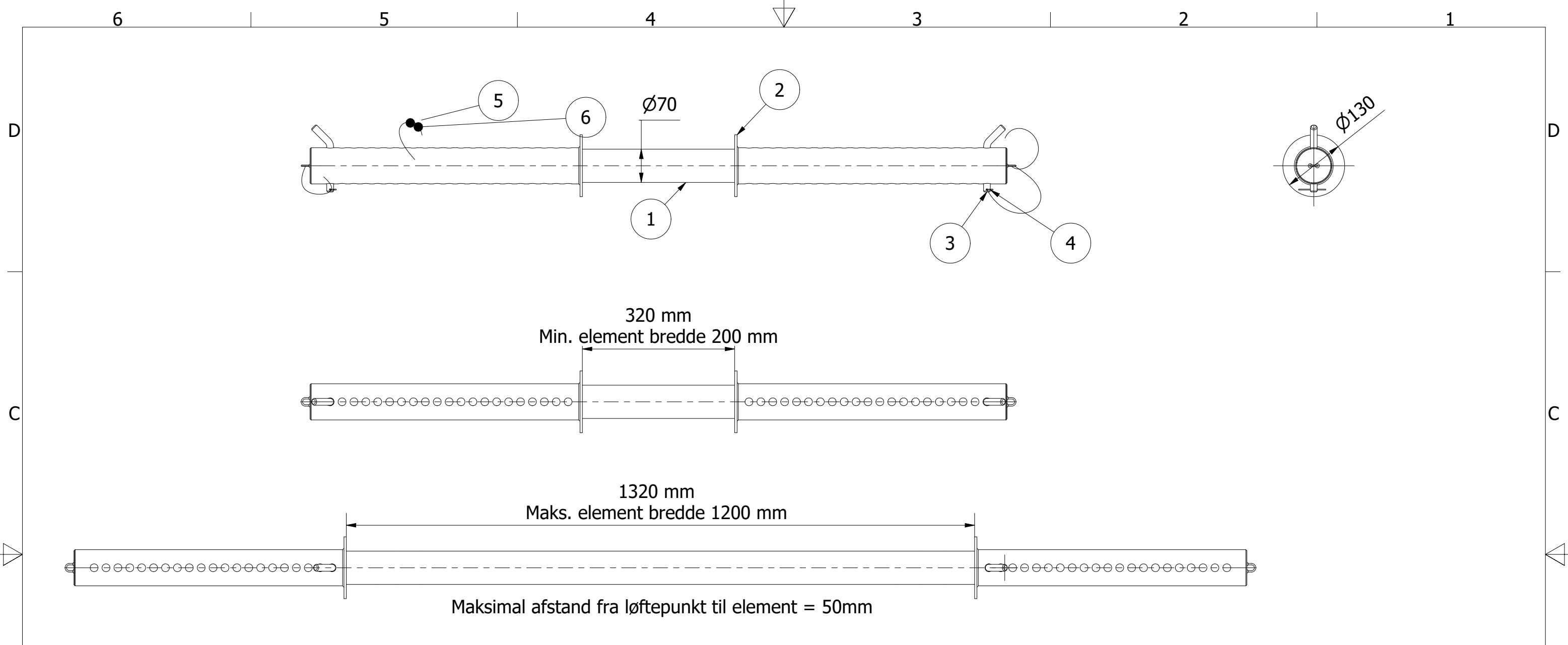
 FYNS KRAN UDSTYR A/S Title: Lifting Mandrel WLL 4500 kg 100 mm - 800 mm	Designer: sch	Creation Date: 12-02-2024
	Material:	Sheet No: 1 of 1
	Surface Treatment:	Mass: 12,062 kg
	Rev: 001	
Tolerances according to DS/ISO 2768-1 m If nothing else is specified. No sharp edges.	  Sheet Size: A3	Scale: 1 : 6 Part Number: 83716-01
<small>This drawing remains property of FyNS Kran Udstyr A/S and may not be copied or given to any other party for information or use without our written consent.</small>		



PARTS LIST			
ITEM	QTY	PART NUMBER	TITLE
1	1	7702010820	Mandrel Ø50 x 1000
2	2	7702010821	Spacer Tube
3	2	7702010819	Locking Pin
4	2	7702002204	Cotter pin - single Ø2x50
5	4	2102501003	Wire 6x7 GALV clear PVC. Ø3mm-2mm wire
6	8	2605600030	Talurit Clamp T - nr. 3


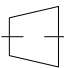
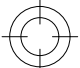
 FYNS KRAN UDSTYR A/S	Designer: sch	Creation Date: 12-02-2024
	Material:	Sheet No: 1 of 1
	Surface Treatment:	Mass: 18,963 kg
	Rev: 001	
Title: Lifting Mandrel WLL 10500 kg 200 mm - 800 mm		Sheet Size: A3
Tolerances according to DS/ISO 2768-1 m If nothing else is specified. No sharp edges.		Scale: 1 : 6
		Part Number: 83716-02
<small>This drawing remains property of FyNS Kran Udstyr A/S and may not be copied or given to any other party for information or use without our written consent.</small>		

Løftedorn mærkes med WLL 10.500 kg i den ene ende.
 Løftedorn mærkes med serienummer og FKU i den anden ende.



Løftedorn mærkes med WLL 25.500 kg i den ene ende.
 Løftedorn mærkes med serienummer og FKU i den anden ende.

PARTS LIST			
ITEM	QTY	PART NUMBER	TITLE
1	1	7702010826	Mandrel Ø70 x 1460
2	2	7702010827	Spacer Tube
3	2	7702010825	Locking Pin
4	2	7702002204	Cotter pin - single Ø2x50
5	4	2102501003	Wire 6x7 GALV clear PVC. Ø3mm-2mm wire
6	8	2605600030	Talurit Clamp T - nr. 3

 FYNS KRAN UDSTYR A/S Title: Lifting Mandrel WLL 25500 kg 200 mm - 1200 mm	Designer: sch	Creation Date: 12-02-2024
	Material:	Sheet No: 1 of 1
	Surface Treatment:	Mass: 47,976 kg
	Rev: 001	
Tolerances according to DS/ISO 2768-1 m If nothing else is specified. No sharp edges.	  Sheet Size: A3	Scale: 1 : 8 Part Number: 83716-03
<small>This drawing remains property of FyNS Kran Udstyr A/S and may not be copied or given to any other party for information or use without our written consent.</small>		