



# Spur gear hand winch

## 150 kg

### Description of the winch

This small compact hand-operated winch weighing only 4 kg excels because of its high speed. Its speed and size make it well suited to smaller jobs.

### Product specifications

- > robust and safe lifting and pulling winch in compliance with EN13157
- > static safety factor 4
- > direct transmission for high speed
- > maintenance free bearings
- > load pressure brake with double ratchet system for safe stable hold of the load in any position
- > cable outlet upwards
- > adjustable crank, with ergonomic grip
- > suitable for wall mounting
- > simple and quick attachment
- > paint thickness is 60 - 80 micron in 1 layer and in compliance with DIN/ISO 12944, C1M - RAL 7035 (grey)
- > corrosion resistant

### Options (code)

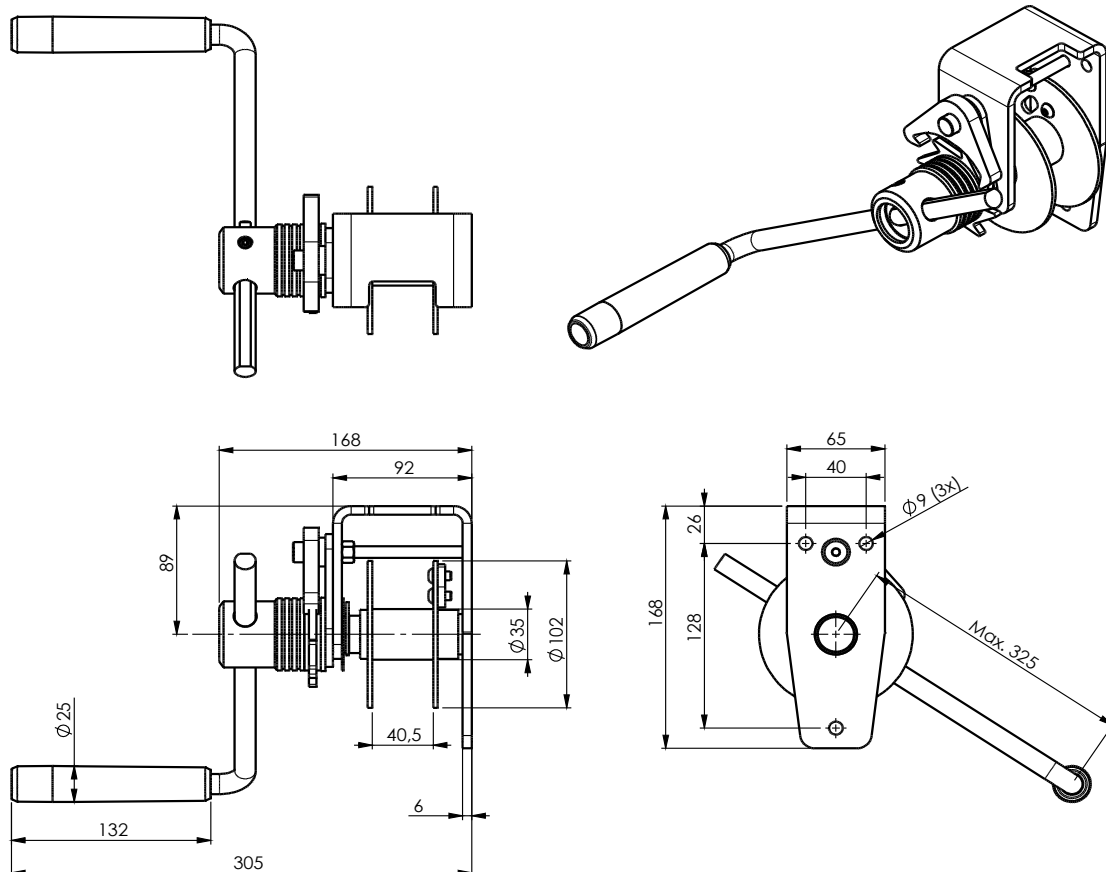
- zinc-plated finish 6 - 8 micron (EV)
- 2 layers of paint according to C3M (2L)
- ATEX certified zone 2 and 22 (EX)
  - CE II 3G Ex IIC T4 Gc, -20°C<T amb <+70°C
  - CE II 3D Ex IIIC T135°C Dc, -20°C<T amb <+70°C
- custom options possible - [on request](#)

### Accessories

- steel or stainless steel wire rope ([p. 55](#))
- pulley block ([p. 57](#))

CE   [Product & instruction video on YouTube](#)

## Technical specifications TL150



Technical specifications	Unit	TL150
Capacity 1st layer	kg	150
Capacity 4th layer	kg	98
Capacity top layer	kg	67
Rope diameter- $\varnothing$	mm	4
Rope storage 1st layer	m	0,7
Rope storage 4th layer	m	4,9
Rope storage top layer	m	13,1
Lift per crank rotation	mm	122
Crank effort at full load	daN	10
Weight (without rope)	kg	4
Article number	no.	77111010