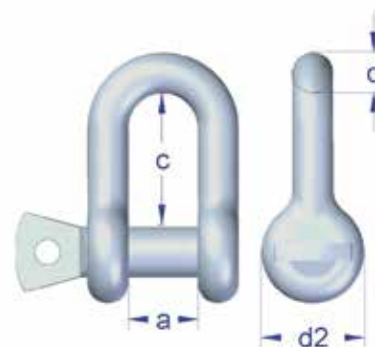


## Stainless Steel Shackle No 730

Dee shackle with screw pin

Material: AISI 316  
 Finish: Highly Polished  
 Safety factor: 6:1  
 Documentation: Test certificate supplied on request.

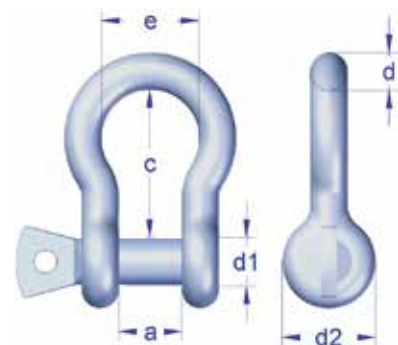


Art. no.	WLL tonnes	Dim. d1 mm	d	a	c	d2	Weight kgs
A073008S	0.4	M8	8	16	30	16	0.06
A073010S	0.6	M10	10	20	38	20	0.1
A073012S	0.9	M12	12	26	50	24	0.2
A073016S	1.5	M16	13	24	52	34	0.3
A073020S	2.5	M20	16	28	65	40	0.6
A073022S	3.0	M22	19	30	72	48	0.9

## Stainless Steel Shackle No 750

Bow shackle with screw pin

Material: AISI 316  
 Finish: Highly Polished  
 Safety factor: 6:1  
 Documentation: Test certificate supplied on request.



Art. no.	WLL tonnes	Dim. d1 mm	d1	d	a	c	e	d2	Weight kgs
A075008S	0.4	M8	8.0	8	16	30	23	16	0.07
A075010S	0.6	M10	10.0	10	20	36	27	20	0.11
A075012S	0.9	M12	12.0	12	25	47	37	26	0.25
A075016S	1.5	M16	13.0	13	25	47	34	33	0.33
A075020S	2.5	M20	16.0	16	28	60	42	40	0.96
A075022S	3.0	M22	19.0	19	31	71	51	48	1.0

## Shackle SA

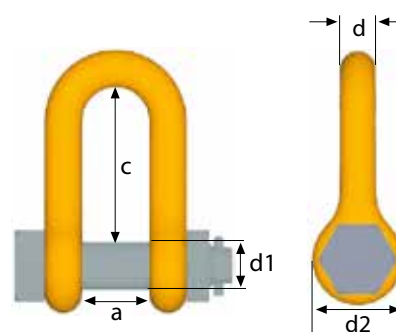
Grade 8

EN 1677-1

Finish: Painted yellow  
 Material: Alloy steel  
 Safety factor: 4:1



Art. no.	Code	WLL tonnes	For chain dim. mm	c	a	d	d2	d1	Weight kgs appr.
Z100706	SA-7/8-8	2.0	7, 8	30	15	8	20	M10	0.1
Z298728	SA-10-8	3.2	10	52	24	13	34	M16	0.4
Z292528	SA-13-8	5.4	13	65	28	16	40	M20	0.7
Z293024	SA-16-8	8.2	16	72	30	18	46	M22	1
Z299622	SA-19-8	11.5	19	86	36	22	52	M27	1.7
Z294122	SA-22-8	15.5	22	94	40	25	60	M30	2.5
Z304328	SA-26-8	21.7	26	116	48	32	76	M39	5.2



Split pin included

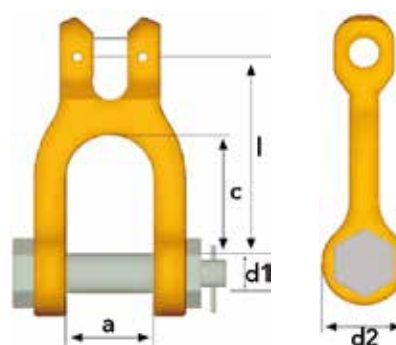
## Clevis Shackle GSA

Grade 8

EN 1677-1

Finish: Painted yellow  
 Material: Alloy steel  
 Safety factor: 4:1

Art. no.	Code	WLL tonnes	For chain dim. mm	a	c	d2	l	d1	Weight kgs appr.
Z700882	GSA-7/8-8	2.0	7, 8	32	36	34	60	16	0.4
Z700883	GSA-10-8	3.2	10	34	48	40	80	20	0.8
Z700884	GSA-13-8	5.4	13	50	65	44	98	22	1.4
Z700885	GSA-16-8	8.2	16	60	70	54	114	27	2.4



Split pin included