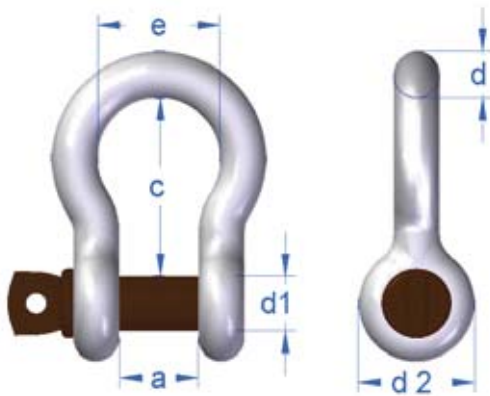
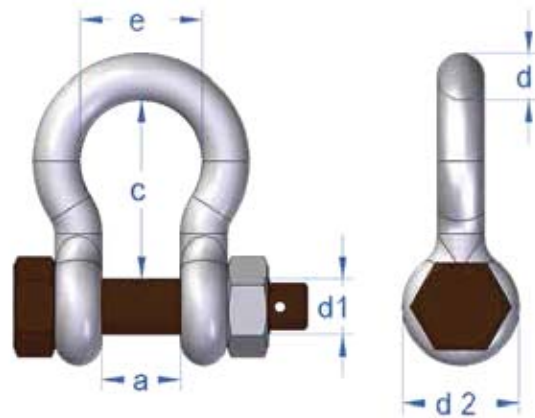


Bow Shackle No 854 and No 855

Standard: DNV 2.7-1 Type Approved, EN 13889 and U.S Fed. Spec. RR-C-271
 Material: High Tensile Carbon Steel, Quenched and tempered, Grade 6
 Finish: All parts hot dip galvanized, brown painted bolts on top of galv.
 Safety factor: 6:1
 Documentation: Test certificate and traceable raw material / inspection certificate acc. EN-10204 - 3.1.
 DNV 2.7-1 and DNV 2.7-3 Type Approval
 Temperature: -20°C to 200°C



Shackle No 854 with screw pin



Shackle No 855 with safety bolt



Art. no. Screw pin	Art. no. Safety bolt	WLL tonnes 6:1	Dim. d1	d Trade size		inner width a*	inner length c*	Bow width e	Eye outer d2	Screw pin kgs	Safety bolt kgs
				mm	inch						
A085405	-	0,33	6	5	3/16"	10	22	16	13	0.02	-
A085406	A085506	0.5	8	6	1/4"	12	29	20	16	0.06	0.07
A085408	A085508	0.75	10	8	5/16"	13	32	21	20	0.11	0.13
A085409	A085509	1.0	11	9	3/8"	16	36	26	22	0.15	0.17
A085411	A085511	1.5	13	11	7/16"	18	43	29	26	0.21	0.25
A085413	A085513	2.0	16	13	1/2"	21	47	33	33	0.37	0.42
A085416	A085516	3.25	19	16	5/8"	27	60	42	40	0.65	0.70
A085419	A085519	4.75	22	19	3/4"	31	71	49	48	1.10	1.20
A085422	A085522	6.5	25	22	7/8"	37	84	60	52	1.50	1.70
A085425	A085525	8.5	28	25	1"	43	95	68	60	2.21	2.58
A085428	A085528	9.5	32	28	1 1/8"	46	108	74	64	3.10	3.40
A085432	A085532	12.0	35	32	1 1/4"	52	119	83	72	4.20	4.80
A085435	A085535	13.5	38	35	1 3/8"	57	132	89	76	6.00	7.00
A085438	A085538	17.0	42	38	1 1/2"	60	146	98	84	8.00	9.00
A085445	A085545	25.0	50	45	1 3/4"	74	178	127	105	13.50	15.00
A085452	A085552	35.0	57	50	2"	83	197	138	112	19.00	21.00
-	A085556	42.5	65	57	2 1/4"	95	222	160	132	-	28.50
A085464	A085564	55.0	70	65	2 1/2"	105	260	180	145	38.00	39.00
-	A085576	85.0	83	75	3"	127	330	190	162	-	62.00
-	**A085589	120 (5:1)	95	95	3 3/4"	146	400	235	208	-	110.00

* Forging tolerance: +/- 5% on inside width/length.
 ** Safety factor 5:1

Split pin included