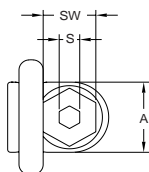




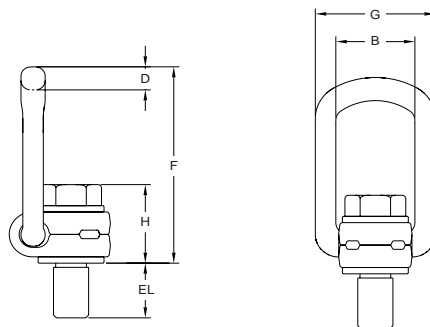
Svirveløjebolte, YellowLine

G-100 svirveløjebolt med metrisk gevind. 360° rotation.
Prøvebelastning er 2,5 gange sikkerhedsfaktor + WLL.



Swivel eye plates, YellowLine

G-100 Lifting Point, Metric Thread. 360° rotation. Proof load is 2.5 times the Working Load Limit + WLL.



Varenr. / Item no.	WLL tons / tonnes*	Drejnings- moment / Torque (Nm)	Boltstørrelse / Bolt size	Dimensioner / Dimensions (mm)								
				B	EL	A	G	D	F	H	S	SW
650-680-0300	0.3	30	M 8	35	11	30	55	10	85	35	6	13
650-680-0630	0.63	60	M 10	35	16	30	55	10	85	36	6	17
650-680-1000	1	100	M 12	37	18	33	57	14	98	44	8	19
650-680-1500	1.5	150	M 16	37	24	33	57	14	98	46	10	24
650-680-2500	2.5	250	M 20	54	30	50	82	17	140	57	12	30
650-680-4000	4	400	M 24	54	36	50	82	17	140	59	14	36
650-680-5000	5	500	M 30	65	48	60	99	23	170	81	17	46
650-680-8000	8	800	M 36	85	62	77	124	27	225	101	22	55
650-681-0000	10	1000	M 42	85	72	77	124	27	225	104	24	65
650-681-5000	15	1500	M 42	104	63	95	158	36	256	112	24	65
650-682-0000	20	2000	M 48	104	72	95	158	36	259	120	27	75

*Sikkerhedsfaktor 4:1. *Safety factor 4:1.

**Arbejdsbelastning /
Working load**



Antal ben Lasteretning Varenr.	Tråd	WLL tons*							
		1 0°	2 0°	1 90°	2 90°	2 0-45°	2 asymm.	3-4 0-45°	3-4 asymm.
650-680-0300	M8	0.3	0.6	0.3	0.6	0.42	0.3	0.63	0.3
650-680-0630	M10	0.63	1.26	0.63	1.26	0.88	0.63	1.32	0.63
650-680-1000	M12	1	2	1	2	1.4	1	2.1	1
650-680-1500	M16	1.5	3	1.5	3	2.1	1.5	3.1	1.5
650-680-2500	M20	2.5	5	2.5	5	3.5	2.5	5.2	2.5
650-680-4000	M24	4	8	4	8	5.6	4	8.4	4
650-680-5000	M30	5	10	5	10	7	5	10.5	5
650-680-8000	M36	8	16	8	16	11.2	8	16.8	8
650-681-0000	M42	10	20	10	20	14	10	21	10
650-681-5000	M42	15	30	15	30	21	15	31.5	15
650-682-0000	M48	20	40	20	40	28	20	42	20